

Flygt 3153.091/182

Table of Contents

| | |
|---|-----------|
| 1 Introduction..... | 2 |
| 1.1 Specially approved products..... | 2 |
| 2 Product Description..... | 3 |
| 2.1 The data plate..... | 3 |
| 2.2 Approvals..... | 4 |
| 2.3 Product denomination..... | 5 |
| 3 Exploded View..... | 7 |
| 3.1 Drive Unit..... | 7 |
| 3.1.1 Standard and explosion-proof..... | 7 |
| 3.2 Hydraulic Unit..... | 8 |
| 3.2.1 N_ LT..... | 8 |
| 3.2.2 N_ LT..... | 9 |
| 3.2.3 N_ MT..... | 10 |
| 3.2.4 N_ HT..... | 11 |
| 3.2.5 N_ SH..... | 12 |
| 3.3 Installation Components..... | 13 |
| 3.3.1 FP/NP..... | 13 |
| 3.3.2 FS/NS..... | 14 |
| 3.3.3 FS/NS..... | 15 |
| 3.3.4 FT/NT..... | 16 |
| 3.3.5 FZ/NZ..... | 17 |
| 4 List of Parts..... | 19 |
| 4.1 3153.091/182..... | 19 |

1 Introduction

Purpose of this manual

The purpose of this manual is to provide necessary information on spare parts and accessories order.

Disclaimer

Always use genuine Flygt parts. The use of other spare parts or accessories can invalidate any claims for warranty or compensation. Xylem does not take any responsibility for damages that are caused by the use of non-original parts. For more information, contact your local sales and service representative.

Data for ordering spare parts

The following information is needed for spare part orders:

- Serial number of the product
- Part number
- Quantity of bulk material, see * in tables

1.1 Specially approved products

Qualification of personnel

Only Xylem or Xylem-authorized service personnel may undertake repair work on specially approved products.

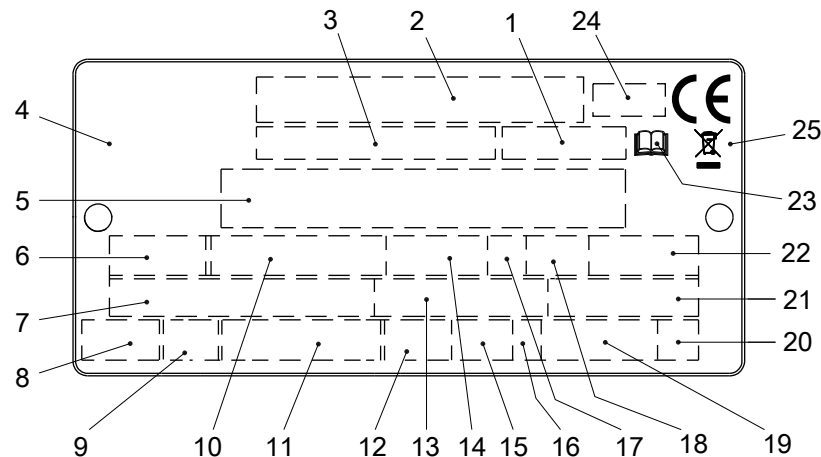
Dimensional accuracy inspection

Spare parts marked with (Ex) after the part number are subject to dimensional accuracy inspection when used in specially approved products.

2 Product Description

2.1 The data plate

The data plate is a metal label that is located on the main body of the products. The data plate lists key product specifications. Specially approved products also have an approval plate.



WS006257C

1. Curve code or Propeller code
2. Serial number
3. Product number
4. Country of origin
5. Additional information
6. Phase; type of current; frequency
7. Rated voltage
8. Thermal protection
9. Thermal class
10. Rated shaft power
11. International standard
12. Degree of protection
13. Rated current
14. Rated speed
15. Maximum submergence
16. Direction of rotation: L=left, R=right
17. Duty class
18. Duty factor
19. Product weight
20. Locked rotor code letter
21. Power factor
22. Maximum ambient temperature
23. Read installation manual
24. Notified body, only for EN-approved Ex products
25. WEEE-Directive symbol

Figure 1: The data plate

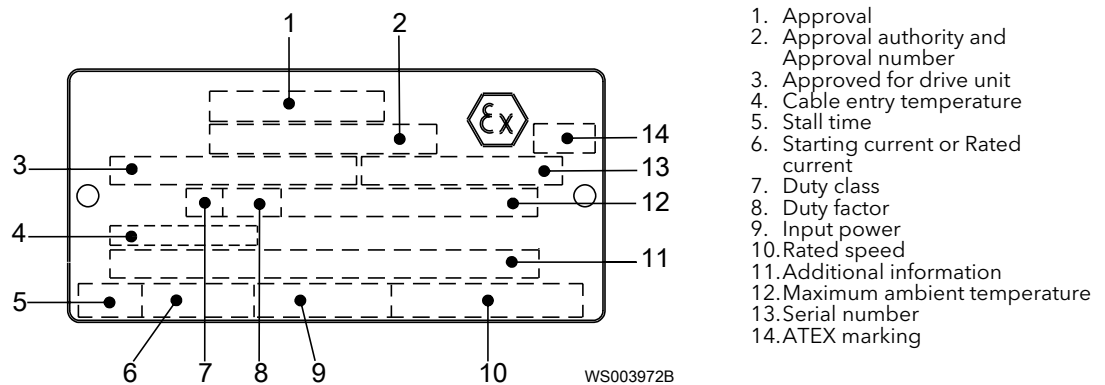
2.2 Approvals

Product approvals for hazardous locations

| Pump | Approval |
|--|---|
| <ul style="list-style-type: none"> • 3153.091 | European Norm (EN) <ul style="list-style-type: none"> • ATEX Directive • EN 60079-0:2012/A11:2013, EN 60079-1:2014, EN 13463-1:2009, EN 13463-5:2011 • Ex I M2 c Ex db I Mb • Ex II 2 G c Ex db IIB T3 Gb |
| | IEC <ul style="list-style-type: none"> • IECEx scheme • IEC 60079-0, IEC 60079-1 • Ex d I Mb • Ex d IIB T3 Gb |
| | FM (FM Approvals) <ul style="list-style-type: none"> • Explosion proof for use in Class I, Div. 1, Group C and D • Dust ignition proof for use in Class II, Div. 1, Group E, F and G • Suitable for use in Class III, Div. 1, Hazardous Locations |
| | CSA Ex <ul style="list-style-type: none"> • Explosion proof for use in Class I, Div. 1, Group C and D |

EN approval plate

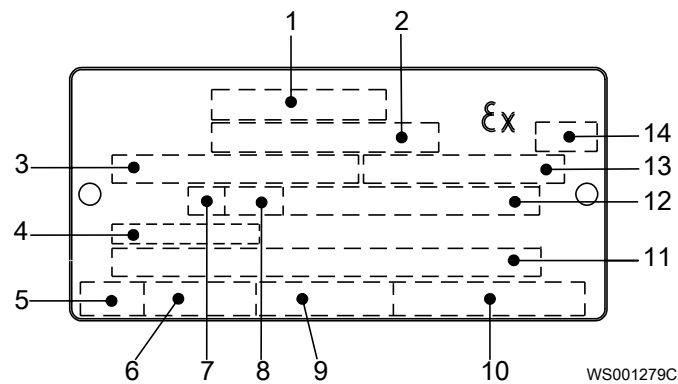
This illustration describes the EN approval plate and the information that is contained in its fields.



IEC approval plate

This illustration describes the IEC approval plate and the information that is contained in its fields.

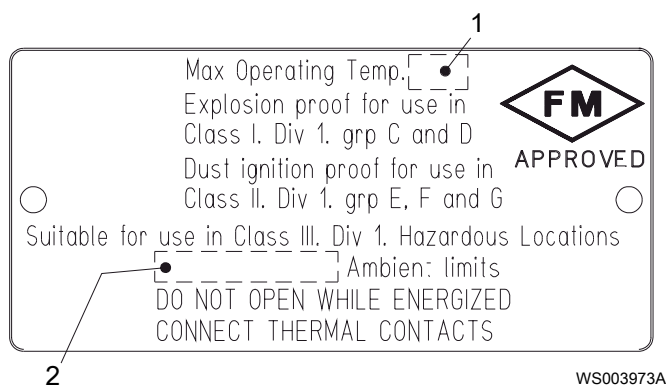
International Norm; not for EU member countries.



1. Approval
2. Approval authority and Approval number
3. Approved for drive unit
4. Cable entry temperature
5. Stall time
6. Starting current or Rated current
7. Duty class
8. Duty factor
9. Input power
10. Rated speed
11. Additional information
12. Maximum ambient temperature
13. Serial number
14. ATEX marking

FM approval plate

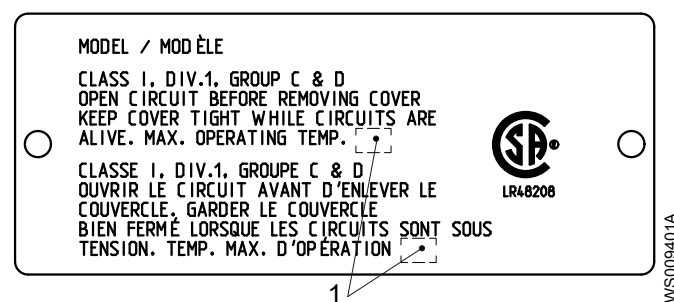
This illustration describes the FM approval plate and the information that is contained in its fields.



1. Temperature class
2. Maximum ambient temperature

CSA approval plate

This illustration describes the CSA approval plate and the information that is contained in its fields.



1. Temperature class

2.3 Product denomination

Reading instruction

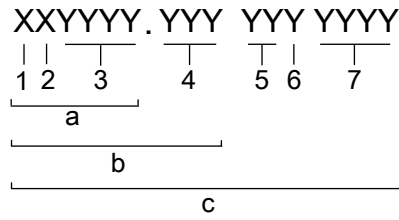
In this section, code characters are illustrated accordingly:

X = letter

Y = digit

The different types of codes are marked up with a, b and c. Code parameters are marked up with numbers.

Codes and parameters



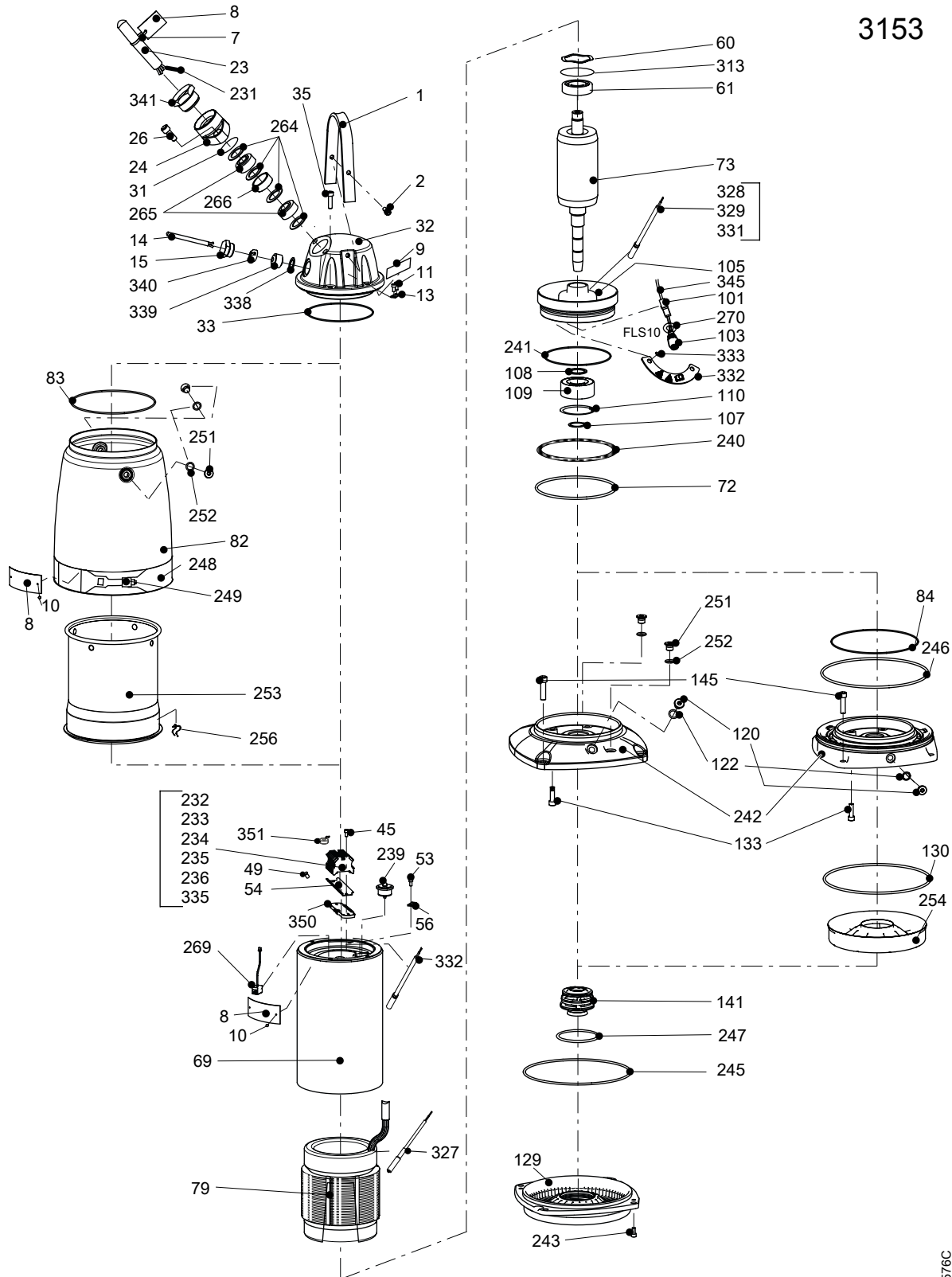
WS006265B

| Type of Callout | Number | Indication |
|-----------------|--------|----------------------|
| Type of code | a | Sales denomination |
| | b | Product code |
| | c | Serial number |
| Parameter | 1 | Hydraulic end |
| | 2 | Type of installation |
| | 3 | Sales code |
| | 4 | Version |
| | 5 | Production year |
| | 6 | Production cycle |
| | 7 | Running number |

3 Exploded View

3.1 Drive Unit

3.1.1 Standard and explosion-proof



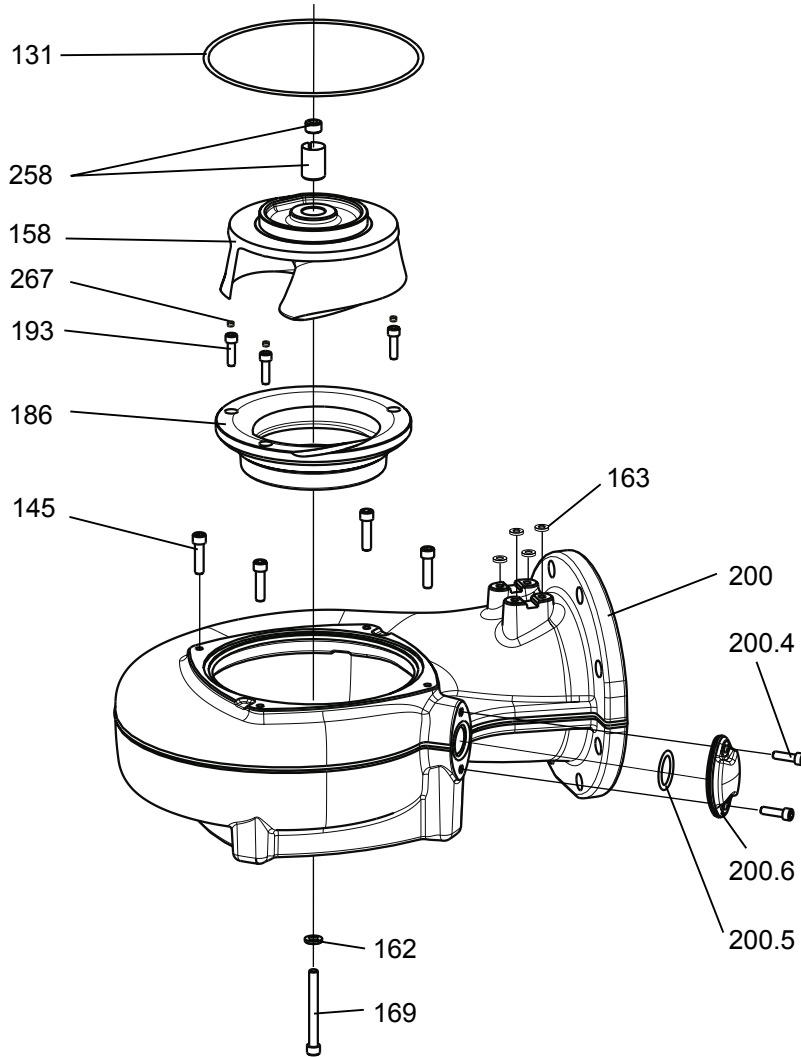
31576C

3.2 Hydraulic Unit

3.2.1 N_LT

4-pole, curve: 411 – 416

N_3153 LT

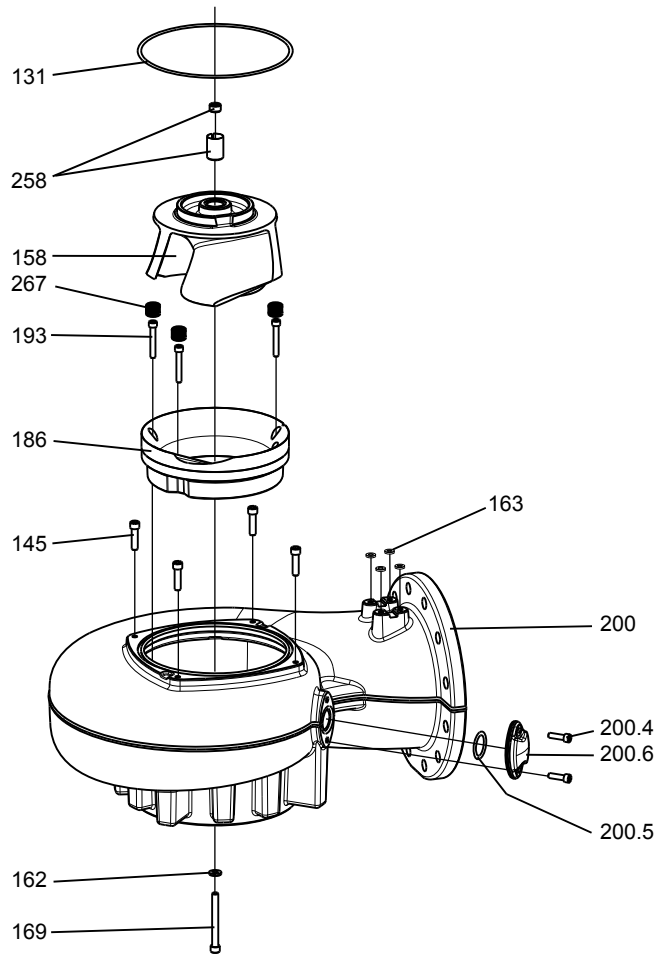


31261

3.2.2 N_LT

6-pole, curve: 620 – 625

N_ 3153 LT (6-pole)

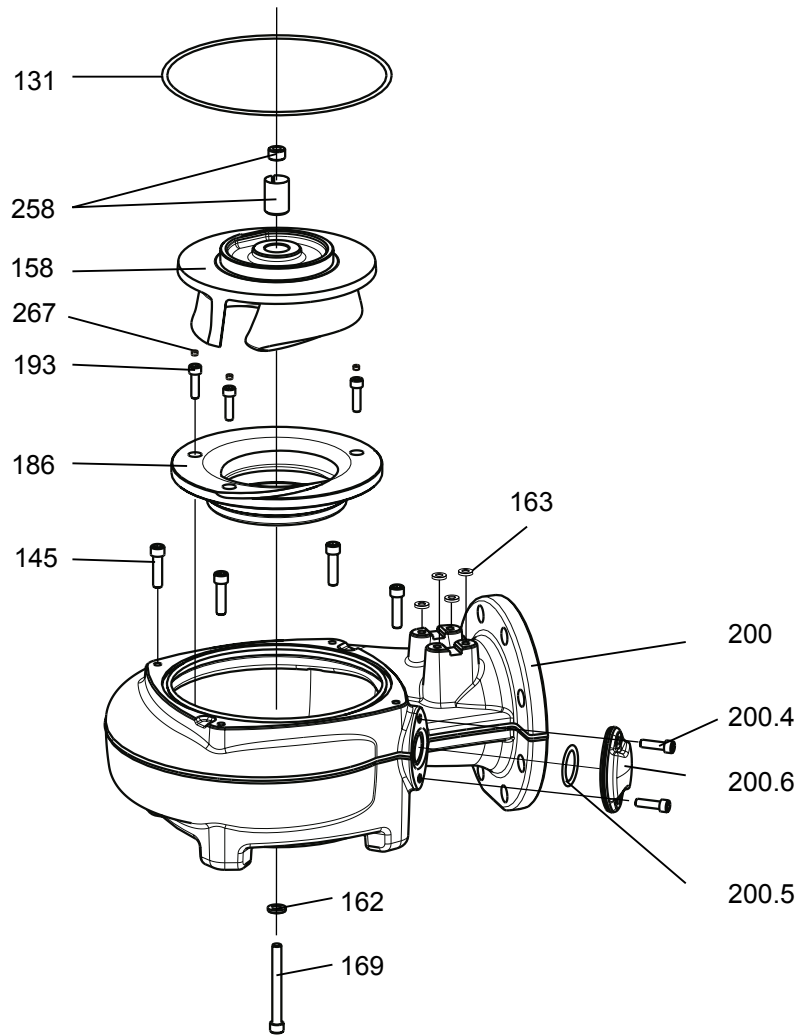


31364

3.2.3 N_MT

Curve: 431– 437

N_ 3153 MT

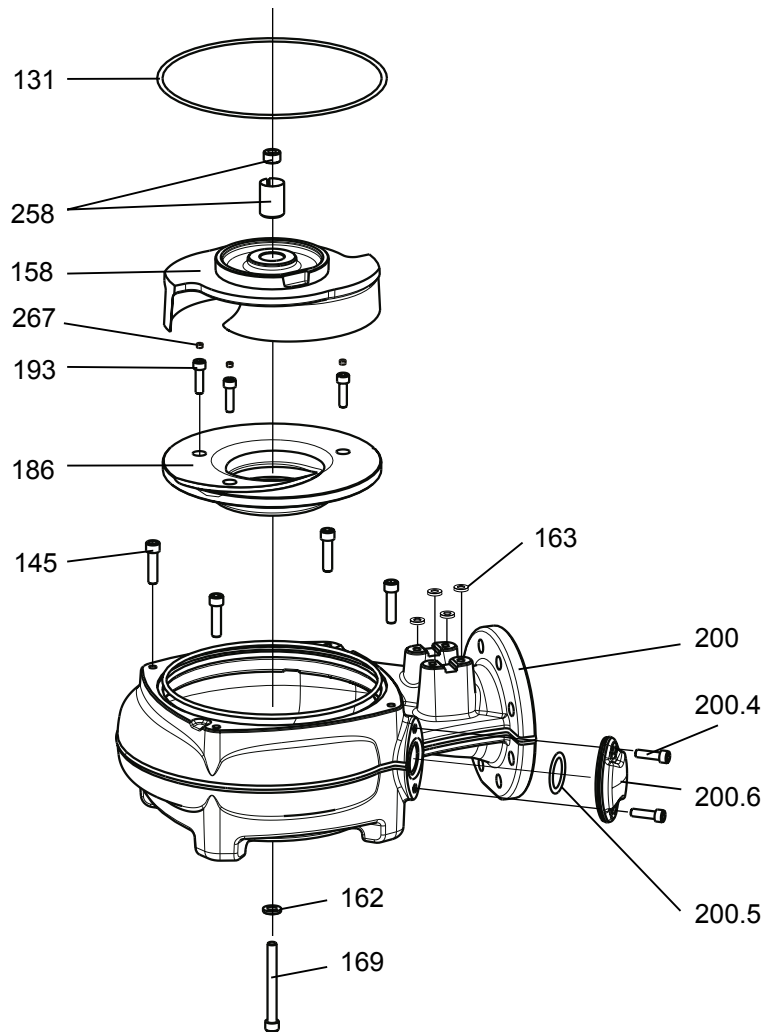


31260

3.2.4 N_HT

Curve: 450– 456 (50 Hz), 461 – 466 (60 Hz)

N_ 3153 HT

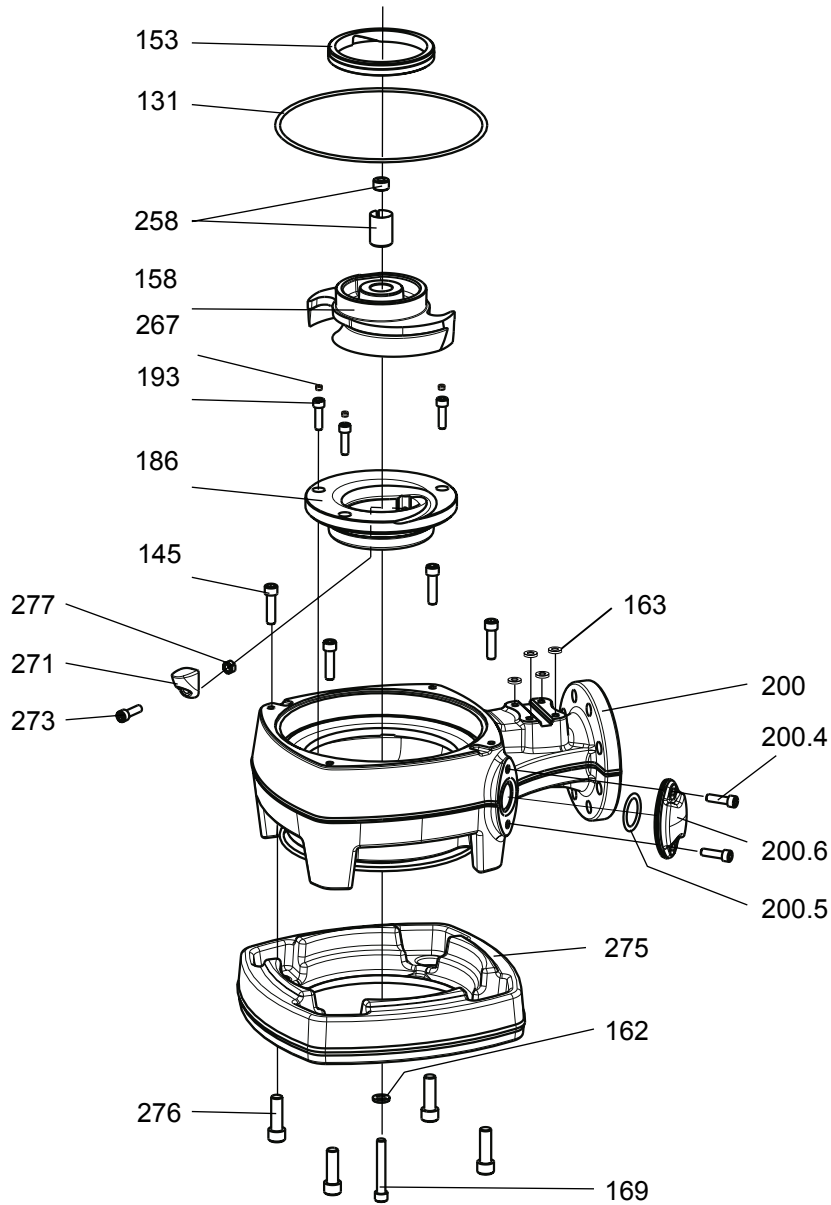


31259

3.2.5 N_SH

Curve: 272 – 276

N_3153 SH

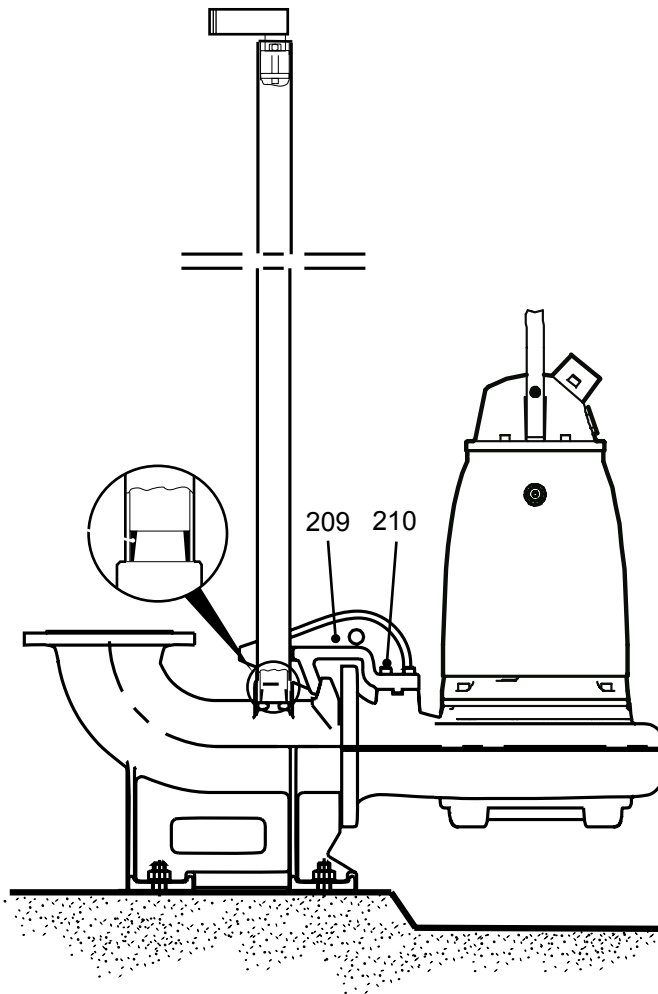


31258

3.3 Installation Components

3.3.1 FP/NP

FP/NP 3153

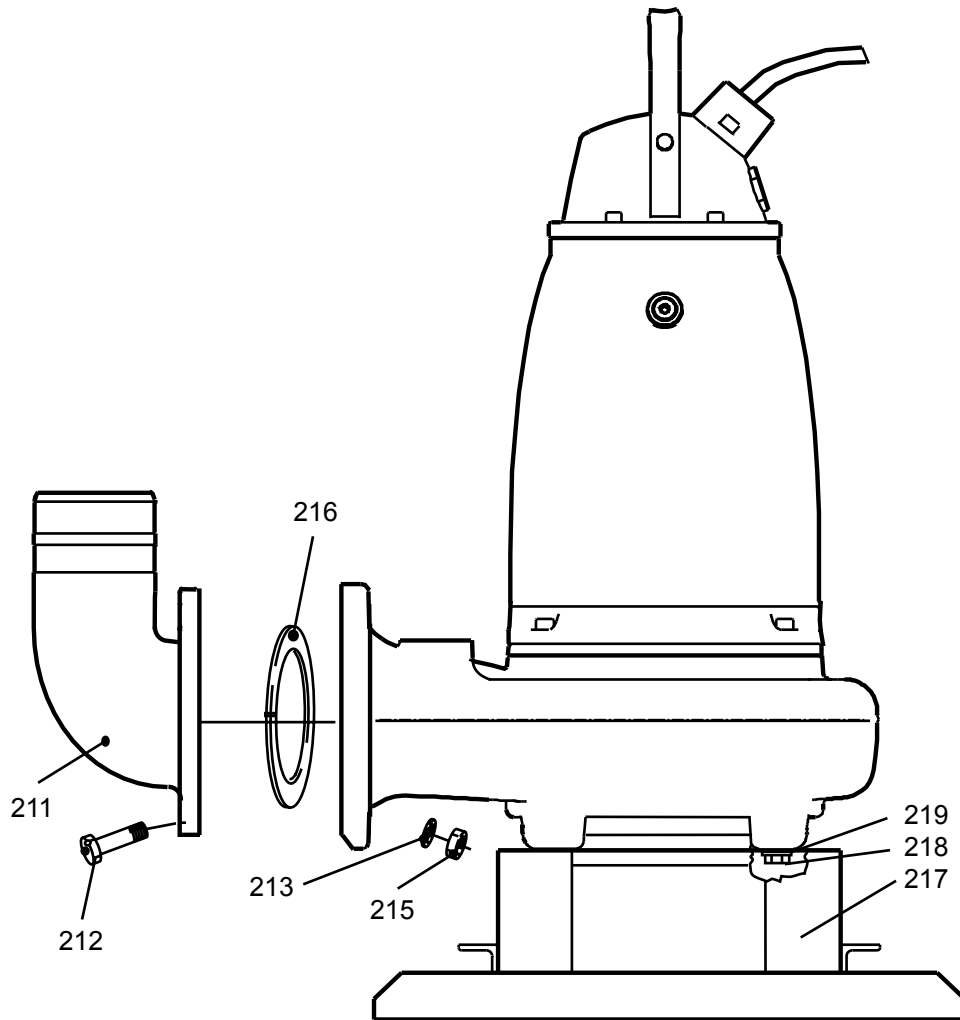


30582D

3.3.2 FS/NS

Hose

FS/NS 3153

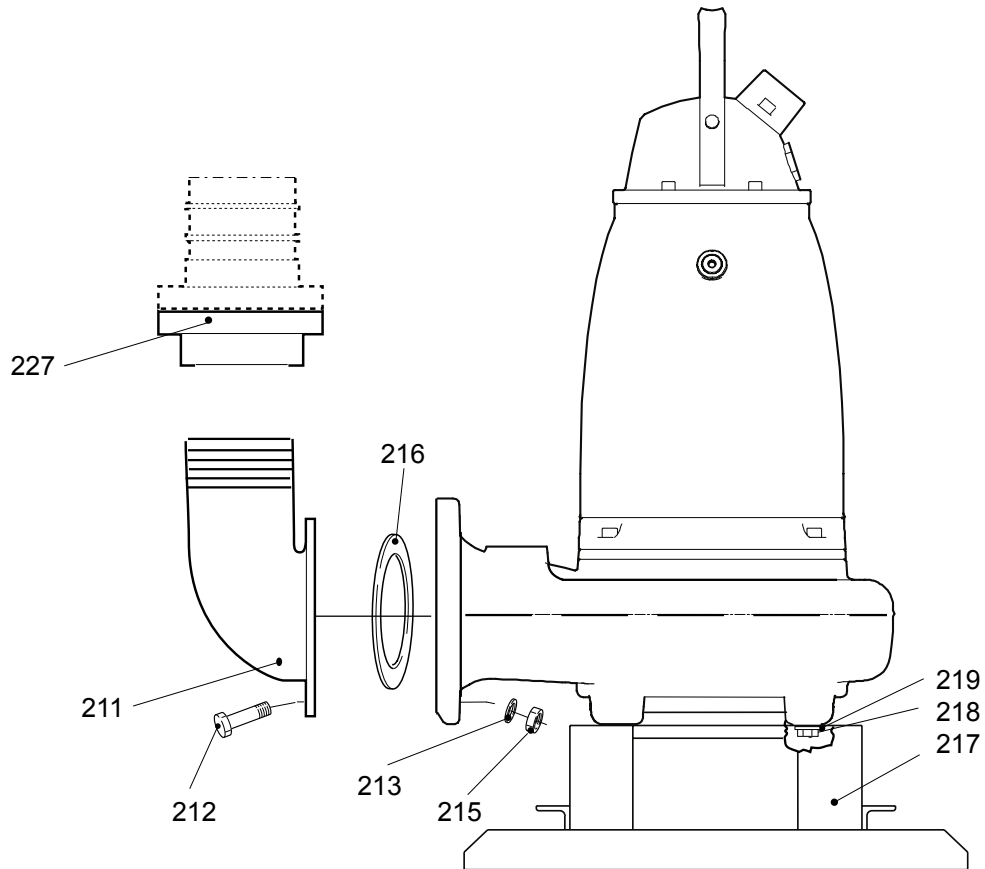


30783

3.3.3 FS/NS

Quick coupling

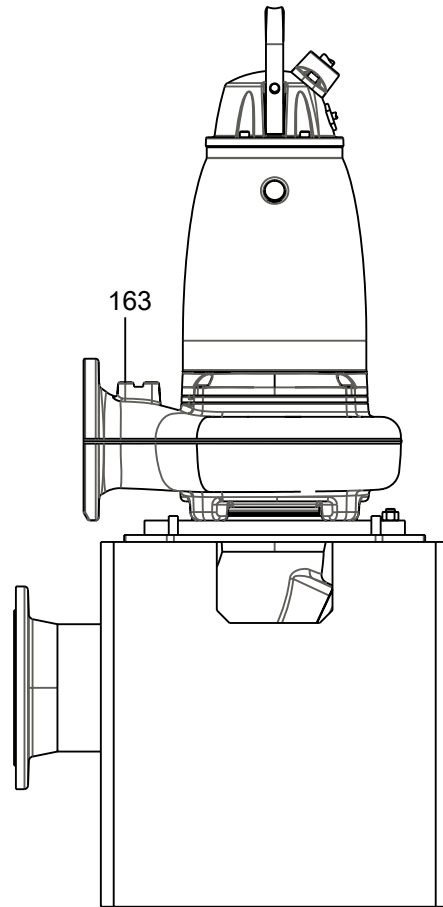
FS/NS 3153



30792

3.3.4 FT/NT

FT/NT 3153



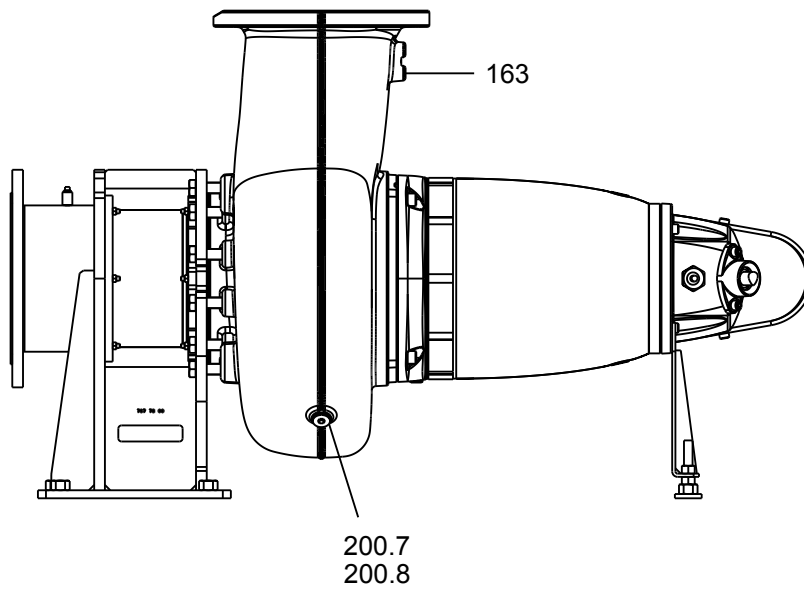
31486

3.3.5 FZ/NZ

Standard design

FZ/NZ 3153

Alt. 1

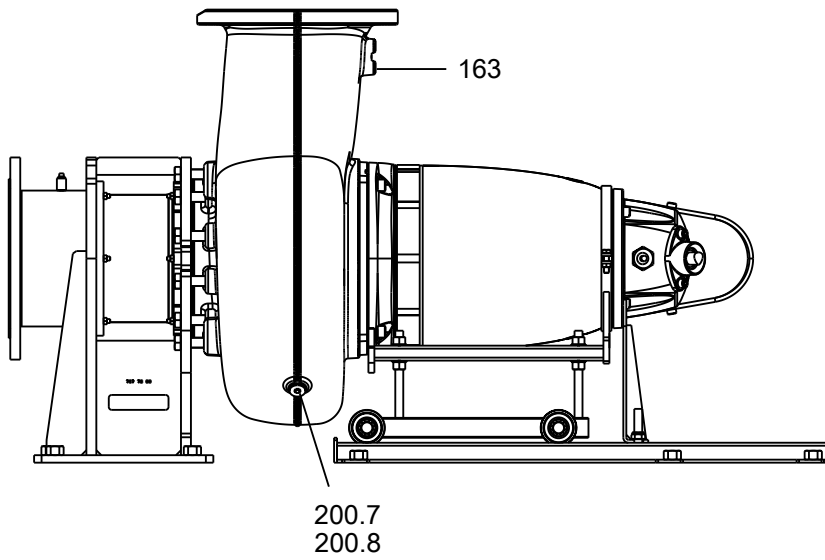


31489

Alternative design, with service cart

FZ/NZ 3153

Alt. 2



31490

For more information, refer to Mechanical Installation Equipment on TPI.

4 List of Parts

4.1 3153.091/182

| Pos. No | Part. No | Type | Denomination | Qty/Version | |
|---------|-----------|------|--|-------------|-----|
| | | | | 091 | 182 |
| 1 | 642 15 00 | (Ex) | Lifting handle | 1 | 1 |
| 2 | 83 04 56 | | Hex.socket hd screw M10X35-A4-80 | 2 | 2 |
| 7 | 83 45 52 | | Cable tie 292X3.5 MM | 1 | 1 |
| 7 | 83 45 59 | | Cable tie 200X2.4 PA 6/6 -55+105 | 1 | 1 |
| 8 | 630 68 00 | (Ex) | Data plate USE 6306801 AS SPARE PART | 2 | 2 |
| 8 | 630 69 00 | (Ex) | Certificate plate EN | 2 | |
| 8 | 630 70 00 | (Ex) | Certificate plate FM | 2 | |
| 8 | 630 69 01 | (Ex) | Certificate plate IECEX | 2 | |
| 8 | 801 03 02 | | Name plate | 1 | |
| 8 | 630 76 00 | | Plate HOT WATER PRODUCT | | 1 |
| 9 | 773 29 00 | | Connection plate | 1 | 1 |
| 9 | 83 93 50 | | Marking strip 5-GW (T1, T2, T15, T16) | 1 | 1 |
| 9 | 832 94 00 | | Connection plate | 1 | 1 |
| 9 | 81 65 46 | | Marking plate 55 GW (FUNCTIONAL GROUND) | 1 | 1 |
| 9 | 83 93 51 | | Marking strip W5,V5,U5,V2,W1,U2,V1,W2,U | 1 | 1 |
| 10 | 82 20 88 | | Drive screw 4X5-A2/A4 | 8 | 8 |
| 11 | 82 00 11 | | Hex.socket hd screw M6X12-A2-70 | 2 | |
| 13 | 642 16 00 | (Ex) | Earthing plate | 1 | |
| 14 | 94 19 22 | | Control cable subcab 7X1,5 | * | * |
| 14 | 94 19 30 | | Control cable s-flex 25X1.5 OD=19.4-21.4 MM | 1 | 1 |
| 15 | 397 81 00 | (Ex) | Gland screw Pr 37 | 1 | 1 |
| 23 | 94 20 59 | | Motor cable subcab 4G2.5+2X1.5 | * | * |
| 23 | 94 20 60 | | Motor cable subcab 4G4+2X1.5 | * | * |
| 23 | 94 20 56 | | Motor cable subcab 4G6+2X1.5 | * | * |
| 23 | 94 19 81 | | Motor cable subcab 4G10+S(2X0.5) | * | * |
| 23 | 94 20 82 | | Motor cable subcab 7G2.5+2X1.5 | * | * |
| 23 | 94 20 80 | | Motor cable subcab 7G4+2X1.5 | * | * |
| 23 | 94 19 80 | | Motor cable subcab 7G6+S(2X0.5) | * | * |
| 23 | 94 19 82 | | Motor cable subcab 4G16+S(2X0.5) | * | * |
| 23 | 94 19 83 | | Motor cable subcab 4G25+S(2X0.5) | * | * |
| 23 | 94 19 90 | | Motor cable subcab S3X2.5+3X2.5/3+S(4X0.5) | * | * |
| 23 | 94 19 91 | | Motor cable subcab S3X6+3X6/3+S(4X0.5) | * | * |
| 23 | 94 19 93 | | Motor cable subcab S3X16+3X16/3+S(4X0.5) | * | * |

| Pos. No | Part. No | Type | Denomination | Qty/Version | |
|---------|-----------|------|--|--|-----|
| | | | | 091 | 182 |
| 23 | 94 19 92 | | Motor cable subcab S3X10+3X10/3+S(4X0.5) | * | * |
| 24 | 642 17 01 | (Ex) | Entrance flange (14)-32 MM | 1 | |
| 24 | 597 87 01 | (Ex) | Entrance flange ISO G1 1/4, (17)-23 MM | Cable entry for metal hose Thread : ISO G1 1/4 | 1 1 |
| 24 | 597 87 04 | (Ex) | Entrance flange ISO 228/1-G2, (17)-23 MM | Cable entry for metal hose Thread : ISO G2 | 1 1 |
| 24 | 597 87 11 | (Ex) | Entrance flange 1 1/2-11.5 NPT, (17)-23 M | Cable entry for metal hose Thread : 1 1/2-11,5NPT | 1 1 |
| 24 | 597 87 08 | (Ex) | Entrance flange 2-11.5 NPT, (17)-23 MM | Cable entry for metal hose Thread : 2-11,5 NPT | 1 1 |
| 24 | 642 17 00 | | Entrance flange (20)-32 MM | | 1 |
| 26 | 83 04 53 | | Hex.socket hd screw M12X45-A4-80 | 2 | 2 |
| 31 | 82 74 63 | | O-ring 49.5X3 NBR | 1 | 1 |
| 31 | 82 81 03 | | O-ring 49.5X3 FPM | 1 | 1 |
| 32 | 796 05 01 | (Ex) | Entrance cover | For motor cable | 1 |
| 32 | 796 05 05 | (Ex) | Entrance cover | For auxiliary cable For motor cable | 1 |
| 32 | 796 05 00 | | Entrance cover | For motor cable | 1 |
| 32 | 796 05 04 | | Entrance cover | For auxiliary cable For motor cable | 1 |
| 33 | 82 78 35 | | O-ring 175X3 NBR | 1 | 1 |
| 33 | 82 71 33 | | O-ring 175X3 FPM | 1 | 1 |
| 35 | 83 04 56 | | Hex.socket hd screw M10X35-A4-80 | 4 | 4 |
| 45 | 82 00 11 | | Hex.socket hd screw M6X12-A2-70 | 2 | 2 |
| 45 | 82 00 17 | | Hex.socket hd screw M6X25-A2-70 | 2 | 2 |
| 49 | 83 42 48 | | End sleeve H16/24 | 3 | 3 |
| 49 | 83 42 49 | | End sleeve H25/30 | 3 | 3 |
| 51 | 83 42 62 | | Closed-end splice 0.33-0.82 (AWG 22-18) | 2 | 2 |
| 53 | 82 00 11 | | Hex.socket hd screw M6X12-A2-70 | 2 | 2 |
| 54 | 642 08 00 | | Rail | 1 | 1 |
| 54 | 642 08 02 | | Rail | Prepared for: MAS 801 | 1 1 |
| 56 | 642 16 00 | (Ex) | Earthing plate | 1 | 1 |
| 60 | 82 56 25 | | Spring washer 71.5X59X0.55 MM | 1 | 1 |
| 61 | 83 30 16 | | Ball bearing 30X72X30.2 MM | 1 | 1 |
| 69 | 642 09 01 | (Ex) | Stator housing | 1 | |
| 69 | 642 09 00 | | Stator housing | | 1 |
| 72 | 82 74 94 | | O-ring 209.3X5.7 NBR | 1 | 1 |
| 72 | 82 80 83 | | O-ring 209.3X5.7 FPM | 1 | 1 |
| 73 | 641 91 03 | | Shaft unit | 25-14-4 | 1 1 |
| 73 | 641 98 05 | (Ex) | Shaft unit | 25-19-4 | 1 1 |
| 73 | 641 98 06 | (Ex) | Shaft unit | 25-18-2 | 1 1 |
| 73 | 648 61 01 | (Ex) | Shaft unit | 25-18-6 | 1 1 |
| 79 | 702 44 01 | (Ex) | Stator 21-18-2f | 50 Hz 2-poles 380V-400V D 660V-690V Y P2=11kW 60 Hz 2-poles 440V-460V D P2=12,70kW/17hp | 1 1 |

| Pos. No | Part. No | Type | Denomination | Qty/Version | |
|---------|-----------|------|--|-------------|-----|
| | | | | 091 | 182 |
| 79 | 702 44 02 | (Ex) | Stator 21-18-2f 50 Hz 2-poles 220V-230V D 400V Y P2=11kW | 1 | 1 |
| 79 | 702 44 08 | (Ex) | Stator 21-18-2f 60 Hz 2-poles 200V-208V D P2=12,70kW/17hp | 1 | 1 |
| 79 | 702 44 04 | (Ex) | Stator 21-18-2f 60 Hz 2-poles 440V-460V YSER 220V-230V Y// P2=12,70kW/17hp | 1 | 1 |
| 79 | 702 44 03 | (Ex) | Stator 21-18-2f 50 Hz 2-poles 500V D P2=11kW 60 Hz 2-poles 575V-600V D P2=12,70kW/17hp | 1 | 1 |
| 79 | 702 44 07 | (Ex) | Stator 21-18-2f 50 Hz 2-poles 415V-440V D P2=11kW | 1 | 1 |
| 79 | 661 39 01 | (Ex) | Stator 21-18-2b 50 Hz 2-poles 400V-440V D 690V Y P2=15kW 60 Hz 2-poles 460V D P2=15kW P1= 16,40KW 50 Hz 2-poles 400V-440V D 690V Y P1=15,50KW 60 Hz 2-poles 460V D P2=17,20kW/23hp | 1 | 1 |
| 79 | 661 39 02 | (Ex) | Stator 21-18-2b 50 Hz 2-poles 400V Y 230V D P2=15kW 50 Hz 2-poles 230V D 400V Y P1= 15,50KW | 1 | 1 |
| 79 | 661 39 08 | (Ex) | Stator 21-18-2b 60 Hz 2-poles 200V-208V D P1=16,40KW 60 Hz 2-poles 200V-208V D P2=17,20kW/23hp | 1 | 1 |
| 79 | 661 39 04 | (Ex) | Stator 21-18-2b 60 Hz 2-poles 220V-230V Y// 440V-460V YSER P1=16,40KW 60 Hz 2-poles 440V-460V YSER 220V-230V Y// P2=17,20kW/23hp | 1 | 1 |
| 79 | 661 39 03 | (Ex) | Stator 21-18-2b 50 Hz 2-poles 500V D P2=15kW 60 Hz 2-poles 575V-600V D P1=16,40KW 50 Hz 2-poles 500V D P1=15,50KW 60 Hz 2-poles 575V-600V D P2=17,20kW/23hp | 1 | 1 |
| 79 | 661 39 07 | (Ex) | Stator 21-18-2b 50 Hz 2-poles 660V Y 380V D P2=15kW 60 Hz 2-poles 440V D P1=16,40KW 50 Hz 2-poles 380V D 660V Y P1= 15,40KW 60 Hz 2-poles 440V D P2=17,20kW/23hp | 1 | 1 |

| Pos. No | Part. No | Type | Denomination | Qty/Version | | |
|---------|-----------|------|-----------------|---|-----|---|
| | | | | 091 | 182 | |
| 79 | 641 94 01 | (Ex) | Stator 21-15-4a | 50 Hz 4-poles 690V Y 400V D P2=7,50kW 60 Hz 4-poles 460V D P1=9,40KW 50 Hz 4-poles 400V D 690V Y P1=7,90KW 60 Hz 4-poles 460V D P2=8,90kW/ 12hp 50 Hz 4-poles 690V Y 400V D P2=9kW 60 Hz 4-poles 460V-480V D P1=11KW Stator 6-leads 3-phase 50 Hz 4-poles 400V D 690V Y P1=9,30KW 60 Hz 4-poles 460V-480V D P2=11,20kW/15hp | 1 | 1 |
| 79 | 641 94 02 | (Ex) | Stator 21-15-4a | 50 Hz 4-poles 400V Y 230V D P2=9kW 50 Hz 4-poles 230V D 400V Y P1= 9,30KW 50 Hz 4-poles 400V Y 230V D P2=7,50kW 50 Hz 4-poles 230V D 400V Y P1=7,90KW | 1 | 1 |
| 79 | 641 94 03 | (Ex) | Stator 21-15-4a | 50 Hz 4-poles 415V-440V D P2=7,50kW 50 Hz 4-poles 415V-440V D P1=8,10KW 50 Hz 4-poles 415V-440V D P2=9kW 50 Hz 4-poles 415V-440V D P1=9,50KW | 1 | 1 |
| 79 | 641 94 04 | (Ex) | Stator 21-15-4a | 60 Hz 4-poles 200V-208V D P1=9,40KW 60 Hz 4-poles 200V-208V D P2=8,90kW/12hp 60 Hz 4-poles 200V-208V D P1= 11KW 60 Hz 4-poles 200V-208V D P2=11,20kW/15hp | 1 | 1 |
| 79 | 641 94 05 | (Ex) | Stator 21-15-4a | 60 Hz 4-poles 230V Y// 460V YSER P1=9,40KW 60 Hz 4-poles 460V YSER 230V Y// P2=8,90kW/12hp 60 Hz 4-poles 230V Y// 460V YSER P1=11KW 60 Hz 4-poles 460V YSER 230V Y// P2=11,20kW/15hp | 1 | 1 |

| Pos. No | Part. No | Type | Denomination | Qty/Version | | |
|---------|-----------|------|-----------------|--|-----|---|
| | | | | 091 | 182 | |
| 79 | 641 94 06 | (Ex) | Stator 21-15-4a | 60 Hz 4-poles 380V-400V D P1=9,40KW 60 Hz 4-poles 380V D P2=8,90kW/ 12hp 60 Hz 4-poles 380V-400V D P1=11KW 60 Hz 4-poles 380V D P2=11,20kW/15hp | 1 | 1 |
| 79 | 641 94 07 | (Ex) | Stator 21-15-4a | 60 Hz 4-poles 220V D 380V Y P1= 9,40KW 60 Hz 4-poles 220V D 380V Y P2=8,90kW/12hp 60 Hz 4-poles 220V D 380V Y P1= 11KW 60 Hz 4-poles 380V Y P2=11,20kW/ 15hp | 1 | 1 |
| 79 | 641 94 08 | (Ex) | Stator 21-15-4a | 50 Hz 4-poles 500V D P2=7,50kW 60 Hz 4-poles 575V-600V D P1=9,40KW 50 Hz 4-poles 500V D P1=7,90KW 60 Hz 4-poles 575V-600V D P2=8,90kW/12hp 50 Hz 4-poles 500V D P2=9kW 60 Hz 4-poles 575V-600V D P1=11KW 50 Hz 4-poles 500V D P1=9,30KW 60 Hz 4-poles 575V-600V D P2=11,20kW/15hp | 1 | 1 |
| 79 | 641 94 09 | (Ex) | Stator 21-15-4a | 50 Hz 4-poles 660V Y 380V D P2=7,50kW 60 Hz 4-poles 440V D P1=9,40KW 50 Hz 4-poles 380V D 660V Y P1=7,90KW 60 Hz 4-poles 440V D P2=8,90kW/ 12hp 50 Hz 4-poles 660V Y 380V D P2=9kW 60 Hz 4-poles 440V D P1=11KW 50 Hz 4-poles 380V D 660V Y P1= 9,40KW 60 Hz 4-poles 440V D P2=11,20kW/15hp | 1 | 1 |
| 79 | 641 93 01 | (Ex) | Stator 21-18-4a | 50 Hz 4-poles 690V Y 400V D P2=13,50kW 60 Hz 4-poles 460V-480V D P1=14,40KW 50 Hz 4-poles 400V D 690V Y P1=12,60KW 60 Hz 4-poles 460V-480V D P2=14,90kW/20hp | 1 | 1 |

| Pos. No | Part. No | Type | Denomination | Qty/Version | | |
|---------|-----------|------|-----------------|--|-----|---|
| | | | | 091 | 182 | |
| 79 | 641 93 02 | (Ex) | Stator 21-18-4a | 50 Hz 4-poles 400V Y 230V D P2=13,50kW 50 Hz 4-poles 230V D 400V Y P1=12,60KW | 1 | 1 |
| 79 | 641 93 03 | (Ex) | Stator 21-18-4a | 50 Hz 4-poles 415V-440V D P2=13,50kW 50 Hz 4-poles 415V-440V D P1=12,70KW | 1 | 1 |
| 79 | 641 93 04 | (Ex) | Stator 21-18-4a | 60 Hz 4-poles 200V-208V D P1=14,30KW 60 Hz 4-poles 200V-208V D P2=14,90kW/20hp | 1 | 1 |
| 79 | 641 93 05 | (Ex) | Stator 21-18-4a | 60 Hz 4-poles 230V Y// 460V YSER P1=14,30KW 60 Hz 4-poles 460V YSER 230V Y// P2=14,90kW/20hp | 1 | 1 |
| 79 | 641 93 06 | (Ex) | Stator 21-18-4a | 60 Hz 4-poles 380V D 660V Y P1=13,90KW 60 Hz 4-poles 380V D 660V Y P2=14,90kW/20hp | 1 | 1 |
| 79 | 641 93 07 | (Ex) | Stator 21-18-4a | 60 Hz 4-poles 220V D 380V Y P1=14,30KW 60 Hz 4-poles 380V Y P2=14,90kW/ 20hp | 1 | 1 |
| 79 | 641 93 08 | (Ex) | Stator 21-18-4a | 50 Hz 4-poles 500V D P2=13,50kW 60 Hz 4-poles 575V-600V D P1=14,40KW 50 Hz 4-poles 500V D P1=12,70KW 60 Hz 4-poles 575V-600V D P2=14,90kW/20hp | 1 | 1 |
| 79 | 641 93 09 | (Ex) | Stator 21-18-4a | 50 Hz 4-poles 660V Y 380V D P2=13,50kW 60 Hz 4-poles 440V D P1=14,30KW 50 Hz 4-poles 380V D 660V Y P1=12,70KW 60 Hz 4-poles 440V D P2=14,90kW/20hp | 1 | 1 |
| 79 | 647 27 01 | (Ex) | Stator 21-18-6a | 50 Hz 6-poles 690V Y 400V D P2=9kW 60 Hz 6-poles 460V D P1=12,80KW 50 Hz 6-poles 400V D 690V Y P1=10,50KW 60 Hz 6-poles 460V D P2=11,20kW/15hp | 1 | 1 |
| 79 | 647 27 02 | (Ex) | Stator 21-18-6a | 50 Hz 6-poles 400V Y 230V D P2=9kW 50 Hz 6-poles 230V D 400V Y P1= 10,50KW | 1 | 1 |
| 79 | 647 27 03 | (Ex) | Stator 21-18-6a | 50 Hz 6-poles 415V-440V D P2=9kW 50 Hz 6-poles 415V-440V D P1=10,50KW | 1 | 1 |

| Pos. No | Part. No | Type | Denomination | Qty/Version | | |
|---------|-----------|------|----------------------|--|-----|---|
| | | | | 091 | 182 | |
| 79 | 647 27 04 | (Ex) | Stator 21-18-6a | 60 Hz 6-poles 200V-208V D P1=12,70KW 60 Hz 6-poles 200V-208V D P2=11,20kW/15hp | 1 | 1 |
| 79 | 647 27 05 | (Ex) | Stator 21-18-6a | 60 Hz 6-poles 230V Y// 460V YSER P1=12,70KW 60 Hz 6-poles 460V YSER 230V Y// P2=11,20kW/15hp | 1 | 1 |
| 79 | 647 27 06 | (Ex) | Stator 21-18-6a | 60 Hz 6-poles 380V D P1=12,70KW 60 Hz 6-poles 380V D P2=11,20kW/15hp | 1 | 1 |
| 79 | 647 27 07 | (Ex) | Stator 21-18-6a | 60 Hz 6-poles 380V Y P1=12,70KW 60 Hz 6-poles 380V Y P2=11,20kW/ 15hp | 1 | 1 |
| 79 | 647 27 08 | (Ex) | Stator 21-18-6a | 50 Hz 6-poles 500V D P2=9kW 60 Hz 6-poles 575V-600V D P1=12,70KW 50 Hz 6-poles 500V D P1=10,50KW 60 Hz 6-poles 575V-600V D P2=11,20kW/15hp | 1 | 1 |
| 79 | 647 27 09 | (Ex) | Stator 21-18-6a | 50 Hz 6-poles 660V Y 380V D P2=9kW 60 Hz 6-poles 440V D P1=12,70KW 50 Hz 6-poles 380V D 660V Y P1=10,50KW 60 Hz 6-poles 440V D P2=11,20kW/15hp | 1 | 1 |
| 79 | 654 96 03 | | Stator 21-15-4a | 50 Hz 4-poles 415V-440V D P2=7,50kW Thermistor 50 Hz 4-poles 415V-440V D P1= 8,10KW Thermistor 50 Hz 4-poles 415V-440V D P2=9kW Thermistor 50 Hz 4-poles 415V-440V D P1=9,50KW Thermistor | | 1 |
| 79 | 654 95 03 | (Ex) | Stator 21-18-4a | 50 Hz 4-poles 415V-440V D P2=13,50kW Thermistor 50 Hz 4-poles 415V-440V D P1=12,70KW Thermistor | | 1 |
| 79 | 659 48 03 | (Ex) | Stator 21-18-6a | 50 Hz 6-poles 415V-440V D P2=9kW Thermistor 50 Hz 6-poles 415V-440V D P1=10,50KW Thermistor | | 1 |
| 79 | 702 45 07 | (Ex) | Stator 21-18-2f | 50 Hz 2-poles 415V-440V D P2=11kW Thermistor | | 1 |
| 79 | 689 07 01 | (Ex) | Stator 21-18-2b | 50 Hz 2-poles 400V-440V D P2=15kW Thermistor 50 Hz 2-poles 400V-440V D 690V Y P1=15,50KW | | 1 |
| 82 | 608 12 00 | | Cooling jacket OUTER | Material:Steel | 1 | 1 |
| 82 | 608 12 01 | | Cooling jacket OUTER | Material:stainless steel (ASTM 316L) | 1 | 1 |

| Pos. No | Part. No | Type | Denomination | Qty/Version | |
|---------|-----------|------|--|-------------|-----|
| | | | | 091 | 182 |
| 83 | 82 78 49 | | O-ring 221.84X3.53 NBR | 1 | 1 |
| 83 | 82 71 70 | | O-ring 221.84X3.53 FPM | 1 | 1 |
| 84 | 82 75 01 | | O-ring 279.3X5.7 NBR | 1 | 1 |
| 84 | 82 75 22 | | O-ring 279.3X5.7 FPM | 1 | 1 |
| 101 | 650 51 00 | | Cable unit FLS10 | 1 | 1 |
| 103 | 663 04 00 | (Ex) | Level sensor FLS10 | 1 | |
| 103 | 791 99 00 | | Level sensor | | 1 |
| 105 | 642 10 01 | (Ex) | Bearing holder | 1 | |
| 105 | 642 10 00 | | Bearing holder | | 1 |
| 107 | 82 59 06 | | Retaining ring SGA 40 | 1 | 1 |
| 108 | 82 44 15 | | Supporting washer 40X50X2.5 | 1 | 1 |
| 109 | 83 30 18 | | Ball bearing 40X90X36.5 MM | 1 | 1 |
| 110 | 83 07 62 | | Retaining ring JB 90 | 1 | 1 |
| 120 | 642 13 00 | | Plug | 1 | 1 |
| 122 | 82 76 85 | | O-ring 17X3 NBR | 1 | 1 |
| 122 | 82 79 15 | | O-ring 17X3 FPM | 1 | 1 |
| 129 | 642 12 00 | | Seal housing cover | 1 | 1 |
| 130 | 82 78 39 | | O-ring 230X3 NBR | 1 | 1 |
| 131 | 82 75 01 | | O-ring 279.3X5.7 NBR | 1 | 1 |
| 131 | 82 75 22 | | O-ring 279.3X5.7 FPM | 1 | 1 |
| 133 | 83 04 56 | | Hex.socket hd screw M10X35-A4-80 | 6 | 6 |
| 141 | 819 50 30 | | Mechanical seal dbl. Material inner : Cemented carbide (WCCR) - Cemented carbide (WCCR) Material outer : Cemented carbide (WCCR) - Cemented carbide (WCCR) | 1 | 1 |
| 141 | 819 50 31 | | Mechanical seal dbl. Material inner: Cemented carbide (WCCR) - Cemented carbide (WCCR) Material outer: Silicone carbide (RSiC) - Silicone carbide (RSiC) | 1 | 1 |
| 145 | 83 04 53 | | Hex.socket hd screw M12X45-A4-80 | 4 | 4 |
| 153 | 681 28 00 | | Insert ring | 1 | 1 |
| 158 | 696 50 00 | | Impeller LT 50Hz Curve code: 410 | 1 | 1 |
| 158 | 696 50 10 | | Impeller LT 50Hz Curve code: 411 | 1 | 1 |
| 158 | 696 50 22 | | Impeller LT 50Hz Curve code: 412 LT 50Hz Curve code: 412 | 1 | 1 |
| 158 | 696 50 33 | | Impeller LT 50Hz Curve code: 413 LT 60Hz Curve code: 413 | 1 | 1 |
| 158 | 696 50 43 | | Impeller LT 50Hz Curve code: 414 LT 60Hz Curve code: 414 | 1 | 1 |
| 158 | 696 50 57 | | Impeller LT 50Hz Curve code: 415 LT 60Hz Curve code: 415 | 1 | 1 |
| 158 | 696 50 63 | | Impeller LT 60Hz Curve code: 416 | 1 | 1 |
| 158 | 654 77 00 | | Impeller LT 50Hz Curve code: 620 | 1 | 1 |
| 158 | 654 77 15 | | Impeller LT 50Hz Curve code: 621 | 1 | 1 |
| 158 | 654 77 30 | | Impeller LT 50Hz Curve code: 622 LT 60Hz Curve code: 622 | 1 | 1 |

| Pos. No | Part. No | Type | Denomination | Qty/Version | | |
|---------|-----------|------|--------------|-------------------------|-----|---|
| | | | | 091 | 182 | |
| 158 | 654 77 45 | | Impeller | LT 50Hz Curve code: 623 | 1 | 1 |
| | | | | LT 60Hz Curve code: 623 | | |
| 158 | 654 77 62 | | Impeller | LT 50Hz Curve code: 624 | 1 | 1 |
| | | | | LT 60Hz Curve code: 624 | | |
| 158 | 654 77 81 | | Impeller | LT 50Hz Curve code: 625 | 1 | 1 |
| | | | | LT 60Hz Curve code: 625 | | |
| 158 | 696 49 00 | | Impeller | MT 50Hz Curve code: 430 | 1 | 1 |
| 158 | 696 49 08 | | Impeller | MT 50Hz Curve code: 431 | 1 | 1 |
| 158 | 696 49 20 | | Impeller | MT 50Hz Curve code: 432 | 1 | 1 |
| 158 | 696 49 35 | | Impeller | MT 50Hz Curve code: 433 | 1 | 1 |
| | | | | MT 60Hz Curve code: 433 | | |
| 158 | 696 49 42 | | Impeller | MT 50Hz Curve code: 434 | 1 | 1 |
| | | | | MT 60Hz Curve code: 434 | | |
| 158 | 696 49 52 | | Impeller | MT 50Hz Curve code: 435 | 1 | 1 |
| | | | | MT 60Hz Curve code: 435 | | |
| 158 | 696 49 65 | | Impeller | MT 50Hz Curve code: 436 | 1 | 1 |
| | | | | MT 60Hz Curve code: 436 | | |
| 158 | 696 49 75 | | Impeller | MT 60Hz Curve code: 437 | 1 | 1 |
| | | | | MT 60Hz Curve code: 437 | | |
| 158 | 696 48 00 | | Impeller | HT 50Hz Curve code: 450 | 1 | 1 |
| 158 | 696 48 14 | | Impeller | HT 50Hz Curve code: 451 | 1 | 1 |
| 158 | 696 48 28 | | Impeller | HT 50Hz Curve code: 453 | 1 | 1 |
| | | | | HT 60Hz Curve code: 453 | | |
| 158 | 696 48 39 | | Impeller | HT 50Hz Curve code: 454 | 1 | 1 |
| | | | | HT 60Hz Curve code: 454 | | |
| 158 | 696 48 50 | | Impeller | HT 50Hz Curve code: 455 | 1 | 1 |
| | | | | HT 60Hz Curve code: 455 | | |
| 158 | 696 48 60 | | Impeller | HT 50Hz Curve code: 456 | 1 | 1 |
| | | | | HT 60Hz Curve code: 456 | | |
| 158 | 605 94 00 | | Impeller | HT 60Hz Curve code: 461 | 1 | 1 |
| 158 | 605 94 09 | | Impeller | HT 60Hz Curve code: 462 | 1 | 1 |
| 158 | 605 94 22 | | Impeller | HT 60Hz Curve code: 463 | 1 | 1 |
| 158 | 605 94 32 | | Impeller | HT 60Hz Curve code: 464 | 1 | 1 |
| 158 | 605 94 46 | | Impeller | HT 60Hz Curve code: 465 | 1 | 1 |
| 158 | 605 94 55 | | Impeller | HT 60Hz Curve code: 466 | 1 | 1 |
| 158 | 685 15 00 | | Impeller | SH 50Hz Curve code: 270 | 1 | 1 |
| 158 | 685 15 10 | | Impeller | SH 50Hz Curve code: 271 | 1 | 1 |
| 158 | 685 15 18 | | Impeller | SH 50Hz Curve code: 272 | 1 | 1 |
| 158 | 685 15 27 | | Impeller | SH 50Hz Curve code: 273 | 1 | 1 |
| | | | | SH 60Hz Curve code: 273 | | |
| 158 | 685 15 39 | | Impeller | SH 50Hz Curve code: 274 | 1 | 1 |
| | | | | SH 60Hz Curve code: 274 | | |
| 158 | 685 15 48 | | Impeller | SH 50Hz Curve code: 275 | 1 | 1 |
| | | | | SH 60Hz Curve code: 275 | | |

| Pos. No | Part. No | Type | Denomination | Qty/Version | |
|---------|-----------|------|--|-------------|-----|
| | | | | 091 | 182 |
| 158 | 685 15 57 | | Impeller SH 50Hz Curve code: 276 SH 60Hz Curve code: 276 | 1 | 1 |
| 162 | 82 38 00 | | Plain washer 13X24X4-A4-170HV | 1 | 1 |
| 163 | 82 69 40 | | Protective plug | 4 | 4 |
| 169 | 83 04 55 | | Hex.socket hd screw M12X110-A4-80 LT MT HT | 1 | 1 |
| 169 | 83 04 66 | | Hex.socket hd screw M12X80-A4-80 SH | 1 | 1 |
| 186 | 702 88 00 | | Insert ring LT DN 200 | 1 | 1 |
| 186 | 704 66 00 | | Insert ring LT DN 250 | 1 | 1 |
| 186 | 702 28 00 | | Insert ring MT DN 150 | 1 | 1 |
| 186 | 702 82 00 | | Insert ring HT DN 100 | 1 | 1 |
| 186 | 702 85 00 | | Insert ring SH DN 80 | 1 | 1 |
| 186 | 702 85 01 | | Insert ring SH Guide pin DN 80 | 1 | 1 |
| 193 | 83 04 56 | | Hex.socket hd screw M10X35-A4-80 | 3 | 3 |
| 193 | 82 00 60 | | Hex.socket hd screw M10X70-A2-70 | 3 | 3 |
| 200 | 702 87 00 | | Pump housing LT DN 200 | 1 | 1 |
| 200 | 702 87 06 | | Pump housing LT DN 200 Drilled acc. to: EN 1092-2 tab. 8 ANSI B16.1-89; tab.5 | 1 | 1 |
| 200 | 702 87 07 | | Pump housing LT DN 200 Drilled acc. to: EN 1092-2 tab. 9 | 1 | 1 |
| 200 | 702 87 36 | | Pump housing LT DN 200 Drilled acc. to: ANSI B16.1-89; tab.5 EN 1092-2 tab. 8 Installation: Z Drainage plug | 1 | 1 |
| 200 | 702 87 37 | | Pump housing LT DN 200 Drilled acc. to: EN 1092-2 tab. 9 Installation: Z Drainage plug | 1 | 1 |
| 200 | 704 65 00 | | Pump housing LT N DN 250 | 1 | 1 |
| 200 | 704 65 01 | | Pump housing LT DN 250 Drilled acc. to: EN 1092-2 tab. 8 | 1 | 1 |
| 200 | 704 65 05 | | Pump housing LT DN 250 Drilled acc. to: ANSI B16.1-89; tab.5 | 1 | 1 |
| 200 | 704 65 07 | | Pump housing LT DN 250 Drilled acc. to: EN 1092-2 tab. 9 | 1 | 1 |
| 200 | 704 65 31 | | Pump housing LT DN 250 Drilled acc. to: EN 1092-2 tab. 8 Installation: Z Drainage plug | 1 | 1 |
| 200 | 704 65 35 | | Pump housing LT DN 250 Drilled acc. to: ANSI B16.1-89; tab.5 Installation: Z Drainage plug | 1 | 1 |
| 200 | 704 65 37 | | Pump housing LT DN 250 Drilled acc. to: EN 1092-2 tab. 9 Installation: Z Drainage plug | 1 | 1 |
| 200 | 702 27 00 | | Pump housing MT DN 150 | 1 | 1 |
| 200 | 702 27 06 | | Pump housing MT DN 150 Drilled acc. to: EN 1092-2 tab. 9 ANSI B16.1-89; tab.5 | 1 | 1 |
| 200 | 702 27 36 | | Pump housing MT DN 150 Drilled acc. to: ANSI B16.1-89; tab.5 EN 1092-2 tab. 9 Installation: Z Drainage plug | 1 | 1 |
| 200 | 702 81 00 | | Pump housing HT DN 100 | 1 | 1 |
| 200 | 702 81 01 | | Pump housing HT DN 100 Drilled acc. to: EN 1092-2 tab. 9 | 1 | 1 |

| Pos. No | Part. No | Type | Denomination | Qty/Version | | |
|---------|-----------|------|----------------------------------|--|-----|----|
| | | | | 091 | 182 | |
| 200 | 702 81 05 | | Pump housing | HT DN 100 Drilled acc. to: ANSI B16.1-89; tab.5 | 1 | 1 |
| 200 | 702 81 31 | | Pump housing | HT DN 100 Drilled acc. to: EN 1092-2 tab. 9 Installation: Z Drainage plug | 1 | 1 |
| 200 | 702 81 35 | | Pump housing | HT DN 100 Drilled acc. to: ANSI B16.1-89; tab.5 Installation: Z Drainage plug | 1 | 1 |
| 200 | 702 84 00 | | Pump housing | SH DN 80 | 1 | 1 |
| 200 | 702 84 06 | | Pump housing | SH N DN 80 Drilled acc. to: EN 1092-2 tab. 9 ANSI B16.1-89; tab.5 | 1 | 1 |
| 200 | 702 84 10 | | Pump housing | SH DN 80 | 1 | 1 |
| 200 | 702 84 20 | | Pump housing | SH DN 100 | 1 | 1 |
| 200 | 702 84 23 | | Pump housing | SH DN 100 | 1 | |
| 200 | 702 84 36 | | Pump housing | SH DN 80 Drilled acc. to: EN 1092-2 tab. 9 ANSI B16.1-89; tab.5 Installation: Z Drainage plug | 1 | 1 |
| 209 | 651 07 01 | | Sliding bracket | Guide bar dimension : 50mm | 1 | 1 |
| 210 | 83 04 53 | | Hex.socket hd screw M12X45-A4-80 | | 4 | 4 |
| 211 | 479 26 00 | | Discharge connection DN300 | LT Outlet DN 250 | 1 | 1 |
| 211 | 379 32 00 | | Discharge connection 8" | LT Outlet DN 200 | 1 | 1 |
| 211 | 281 79 00 | | Discharge connection 8" | LT Outlet DN 200 | 1 | 1 |
| 211 | 295 57 00 | | Discharge connection DN150 | MT Outlet DN 150 | 1 | 1 |
| 211 | 309 31 00 | | Discharge connection DN150 | MT Thread: 6-8 NPSM Outer Outlet DN 150 | 1 | 1 |
| 211 | 309 31 01 | | Discharge connection DN150 | MT Thread: ISO G6 Outer Quick coupling: Storz diam=160 mm Outlet DN 150 | 1 | 1 |
| 211 | 259 84 06 | | Discharge connection ISO G4" | HT Thread: ISO G4A Outer Outlet DN 100 HT Thread: ISO G4 Outer Quick coupling: Storz diam=133 mm Outlet DN 100 HT Thread: ISO G4 Outer Quick coupling: Storz diam=115 mm Outlet DN 100 | 1 | 1 |
| 211 | 259 82 04 | | Discharge connection DN100 | HT Outlet DN 100 | 1 | 1 |
| 211 | 259 84 05 | | Discharge connection 4-8 NPSM | HT Thread: 4-8 NPSM Outer Outlet DN 100 | 1 | 1 |
| 211 | 310 03 01 | | Discharge connection DN80 | SH Outlet DN 75 | 1 | 1 |
| 211 | 385 52 03 | | Discharge connection 3-8 NPSM | SH Thread: 3-8 NPSM Outer Outlet DN 75 | 1 | 1 |
| 211 | 385 52 04 | | Discharge connection ISO G3" | SH Thread: ISO G3 Outer Outlet DN 75 | 1 | 1 |
| 212 | 84 34 34 | | Hexagon head screw M20X80-A2-70 | LT Outlet DN 200 LT Outlet DN 250 | 4 | 4 |
| 212 | 84 34 34 | | Hexagon head screw M20X80-A2-70 | LT Outlet DN 200 LT Outlet DN 250 | 12 | 12 |

| Pos. No | Part. No | Type | Denomination | Qty/Version | | |
|---------|-----------|------|---------------------------------|---|-----|----|
| | | | | 091 | 182 | |
| 212 | 84 34 34 | | Hexagon head screw M20X80-A2-70 | LT Outlet DN 200 LT Outlet DN 250 | 8 | 8 |
| 212 | 84 34 32 | | Hexagon head screw M20X70-A2-70 | MT Thread: 6-8 NPSM Outer Outlet DN 150 MT Outlet DN 150 MT Thread: ISO G6 Outer Quick coupling: Storz diam=160 mm Outlet DN 150 | 8 | 8 |
| 212 | 84 34 07 | | Hexagon head screw M16X60-A2-70 | HT | 4 | 4 |
| 212 | 81 49 36 | | Hexagon head screw M16X65-A4-70 | SH | 4 | 4 |
| 213 | 82 35 26 | | Plain washer 21X37X3-A2-170HV | MT | 8 | 8 |
| 213 | 82 35 23 | | Plain washer 17X30X3-A2-170HV | SH HT | 4 | 4 |
| 213 | 82 35 23 | | Plain washer 17X30X3-A2-170HV | SH HT | 8 | 4 |
| 215 | 82 23 62 | | Hexagon nut M20-A2-70 | LT MT | 4 | 4 |
| 215 | 82 23 62 | | Hexagon nut M20-A2-70 | LT MT | 12 | 12 |
| 215 | 82 23 62 | | Hexagon nut M20-A2-70 | LT MT | 8 | 8 |
| 215 | 82 23 61 | | Hexagon nut M16-A2-70 | SH HT | 4 | 4 |
| 216 | 384 45 00 | | Gasket 8" | LT | 1 | 1 |
| 216 | 283 19 00 | | Gasket 8" | LT | 1 | 1 |
| 216 | 295 64 00 | | Gasket 6" | MT | 1 | 1 |
| 216 | 259 83 00 | | Gasket 4" | HT | 1 | 1 |
| 216 | 310 05 00 | | Gasket 3" | SH | 1 | 1 |
| 217 | 380 92 02 | | Stand compl. | LT | 1 | 1 |
| 217 | 380 92 01 | | Stand compl. | LT | 1 | 1 |
| 217 | 396 11 00 | | Stand compl. | SH MT HT | 1 | 1 |
| 217 | 608 23 02 | | Stand | Optional | 1 | 1 |
| 218 | 84 34 32 | | Hexagon head screw M20X70-A2-70 | LT | 4 | 4 |
| 218 | 84 34 05 | | Hexagon head screw M16X50-A2-70 | LT | 4 | 4 |
| 218 | 84 34 03 | | Hexagon head screw M16X40-A2-70 | SH MT HT | 4 | 4 |
| 219 | 82 35 26 | | Plain washer 21X37X3-A2-170HV | LT | 8 | 8 |
| 219 | 82 35 26 | | Plain washer 21X37X3-A2-170HV | LT | 16 | 16 |
| 219 | 82 35 23 | | Plain washer 17X30X3-A2-170HV | LT | 4 | 4 |
| 219 | 82 37 85 | | Plain washer 18X56X5-A4-140HV | SH MT HT | 4 | 4 |

| Pos. No | Part. No | Type | Denomination | Qty/Version | | |
|---------|-----------|------|---------------------------------|--|-----|---|
| | | | | 091 | 182 | |
| 227 | 83 19 36 | | Coupling part | Quick coupling: Storz diam=160 mm | 1 | 1 |
| 227 | 83 19 33 | | Coupling part | Quick coupling: Storz diam=115 mm | 1 | 1 |
| 227 | 83 19 34 | | Coupling part STORTZ ISO G4 | Quick coupling: Storz diam=133 mm | 1 | 1 |
| 229 | 667 40 01 | | Sticker | | 2 | 2 |
| 231 | 93 00 77 | | Shrink hose ID=6.4 MM | | * | * |
| 231 | 93 00 78 | | Shrink hose ID=9.5 MM | | * | * |
| 232 | 83 53 58 | | Terminal clamp WDU6/10 | | 3 | 3 |
| 232 | 83 53 58 | | Terminal clamp WDU6/10 | | | 4 |
| 233 | 83 53 61 | | Terminal clamp WDU16.1000V | | 6 | 6 |
| 233 | 83 53 17 | | Terminal clamp WDU35/IK/ZA | | 6 | 6 |
| 233 | 83 53 61 | | Terminal clamp WDU16.1000V | | 8 | 8 |
| 234 | 83 53 67 | | Cross connection WQV 16N/2 | | 3 | 3 |
| 234 | 650 20 02 | | Cross connection WQV 16N/10 | | 1 | 1 |
| 234 | 83 53 49 | | Cross connection WQV 35N /2 | | 3 | 3 |
| 234 | 650 20 03 | | Cross connection WQV 35N/10 | | 1 | 1 |
| 234 | 83 53 67 | | Cross connection WQV 16N/2 | | 4 | 4 |
| 235 | 83 53 54 | | End support WEW 35/2 | | 2 | 2 |
| 236 | 83 53 50 | | Partition | | 1 | 1 |
| 239 | 734 59 00 | | El.lead through unit 12X + 6X | Stator leads: 1,50 - 4 mm ² | 1 | 1 |
| 239 | 792 06 00 | | El-lead through 6X + 2X | Stator leads: 2,50 - 6 mm ² | 1 | 1 |
| 240 | 607 48 00 | (Ex) | Spring | | 1 | 1 |
| 241 | 82 78 35 | | O-ring 175X3 NBR | | 1 | 1 |
| 241 | 82 71 33 | | O-ring 175X3 FPM | | 1 | 1 |
| 242 | 642 11 01 | (Ex) | Adapter | | 1 | |
| 242 | 608 22 11 | (Ex) | Adapter | Cooling jacket | 1 | |
| 242 | 642 11 00 | | Adapter | | | 1 |
| 242 | 608 22 10 | | Adapter | Cooling jacket | | 1 |
| 243 | 83 02 97 | | Hex.socket hd screw M8X16-A4-70 | | 2 | 2 |
| 245 | 82 75 01 | | O-ring 279.3X5.7 NBR | | 1 | 1 |
| 245 | 82 75 22 | | O-ring 279.3X5.7 FPM | | 1 | 1 |
| 246 | 82 78 39 | | O-ring 230X3 NBR | | 1 | 1 |
| 247 | 82 95 69 | | O-ring 84.4X4 FPM | | 1 | 1 |
| 248 | 608 27 00 | | Strip | | 1 | 1 |
| 249 | 82 32 50 | | Clip | | 1 | 1 |
| 251 | 642 13 00 | | Plug | | 2 | 2 |
| 252 | 82 76 85 | | O-ring 17X3 NBR | | 2 | 2 |
| 252 | 82 79 15 | | O-ring 17X3 FPM | | 2 | 2 |
| 253 | 608 13 02 | | Cooling jacket | | 1 | 1 |
| 254 | 608 14 02 | | Flow diffuser | | 1 | 1 |
| 256 | 608 42 00 | | Wire bow | | 3 | 3 |
| 258 | 720 14 00 | | Sleeve unit | | 1 | 1 |
| 264 | 82 40 81 | | Plain washer 32.5X52X2-A2-70 | | 4 | 4 |

| Pos. No | Part. No | Type | Denomination | Qty/Version | |
|---------|-----------|------|---|-------------|-----|
| | | | | 091 | 182 |
| 264 | 82 40 82 | | Plain washer 34.5X52X2-A2-70 | 4 | 4 |
| 264 | 82 40 69 | | Plain washer 35.5X52X2-A2-70 | 4 | 4 |
| 265 | 84 18 00 | | Seal sleeve (14)-17 MM NBR | 2 | 2 |
| 265 | 84 18 02 | | Seal sleeve (20)-23 MM NBR | 2 | 2 |
| 265 | 84 18 03 | | Seal sleeve (23)-26 MM NBR | 2 | 2 |
| 265 | 84 18 04 | | Seal sleeve (26)-29 MM NBR | 2 | 2 |
| 265 | 84 18 06 | | Seal sleeve (32)-35 MM NBR | 2 | 2 |
| 265 | 84 18 01 | | Seal sleeve (17)-20 MM NBR | 2 | 2 |
| 265 | 84 18 05 | | Seal sleeve (29)-32 MM NBR | 2 | 2 |
| 266 | 597 98 02 | (Ex) | Sleeve | 1 | 1 |
| 269 | 518 89 04 | (Ex) | Leakage detect.unit | 1 | 1 |
| 270 | 608 31 00 | (Ex) | Lock washer | 1 | |
| 271 | 703 22 00 | | Lip | 1 | 1 |
| 273 | 83 04 56 | | Hex.socket hd screw M10X35-A4-80 | 1 | 1 |
| 275 | 679 01 01 | | Counter weight | 1 | 1 |
| 276 | 82 01 07 | | Hex.socket hd screw M16X50-A2-70 | 4 | 4 |
| 277 | 82 23 33 | | Hexagon nut M10-A4-70 | 1 | 1 |
| 313 | 82 71 72 | | O-ring 71.2X3 FPM | 1 | 1 |
| 327 | 83 97 97 | | Temperature sensor | 1 | 1 |
| 328 | 665 86 00 | | Temperature sensor PT100, 2-LEADS 1500MM | 1 | 1 |
| 329 | 718 81 00 | | Special washer | 1 | 1 |
| 331 | 94 05 81 | | Insulating hose D=5 MM | * | * |
| 332 | 665 86 00 | | Temperature sensor PT100, 2-LEADS 1500MM | 1 | 1 |
| 335 | 83 53 77 | | Terminal clamp WPE 2.5 WS | 1 | 1 |
| 336 | 83 42 36 | | End sleeve 0.75 MM2; L=6 MM | 2 | 2 |
| 337 | 94 03 34 | | Shrink hose ID=6.4 MM | * | * |
| 338 | 82 40 61 | | Plain washer 24.5X35X2-A2-70 | 1 | 1 |
| 339 | 84 17 90 | | Seal sleeve (10)-12 MM FPM | 1 | 1 |
| 339 | 84 17 92 | | Seal sleeve (14)-16 MM NBR | 1 | 1 |
| 340 | 678 58 12 | (Ex) | Cable clip 10-(12) MM | 1 | 1 |
| 340 | 678 58 16 | (Ex) | Cable clip 14-(16) MM | 1 | 1 |
| 341 | 633 11 01 | | Gland screw ISO G1 1/4" | 1 | 1 |
| 341 | 633 11 04 | | Gland screw 1 1/2" NPT | 1 | 1 |
| 345 | 94 05 81 | | Insulating hose D=5 MM | * | * |
| 350 | 823 05 00 | | Pump monitoring | 1 | 1 |
| 351 | 82 62 75 | | Transformer | 1 | 1 |
| 352 | 83 45 59 | | Cable tie 200X2.4 PA 6/6 -55+105 | 1 | 1 |
| 353 | 83 45 59 | | Cable tie 200X2.4 PA 6/6 -55+105 | 1 | 1 |
| 354 | 83 43 60 | | Cable lug UL/CSA 0.50-1.65 MM2 M4 | 1 | 1 |
| 355 | 718 81 00 | | Special washer | 1 | 1 |
| 800 | 84 15 47 | | O-ring kit NBR | 1 | 1 |
| 800 | 84 15 48 | | O-ring kit FPM | 1 | 1 |

| Pos. No | Part. No | Type | Denomination | Qty/Version | |
|---------|-----------|------|------------------------------|-------------|-----|
| | | | | 091 | 182 |
| 808 | 769 29 00 | | N-pump kit CURVE: 410 "N-LT" | 1 | 1 |
| 808 | 769 29 01 | | N-pump kit CURVE: 411 "N-LT" | 1 | 1 |
| 808 | 769 29 02 | | N-pump kit CURVE: 412 "N-LT" | 1 | 1 |
| 808 | 769 29 03 | | N-pump kit CURVE: 413 "N-LT" | 1 | 1 |
| 808 | 769 29 04 | | N-pump kit CURVE: 414 "N-LT" | 1 | 1 |
| 808 | 769 29 05 | | N-pump kit CURVE: 415 "N-LT" | 1 | 1 |
| 808 | 769 29 06 | | N-pump kit CURVE: 416 "N-LT" | 1 | 1 |
| 808 | 769 29 07 | | N-pump kit CURVE: 620 "N-LT" | 1 | 1 |
| 808 | 769 29 08 | | N-pump kit CURVE: 621 "N-LT" | 1 | 1 |
| 808 | 769 29 09 | | N-pump kit CURVE: 622 "N-LT" | 1 | 1 |
| 808 | 769 29 10 | | N-pump kit CURVE: 623 "N-LT" | 1 | 1 |
| 808 | 769 29 11 | | N-pump kit CURVE: 624 "N-LT" | 1 | 1 |
| 808 | 769 29 12 | | N-pump kit CURVE: 625 "N-LT" | 1 | 1 |
| 808 | 769 29 13 | | N-pump kit CURVE: 430 "N-MT" | 1 | 1 |
| 808 | 769 29 14 | | N-pump kit CURVE: 431 "N-MT" | 1 | 1 |
| 808 | 769 29 15 | | N-pump kit CURVE: 432 "N-MT" | 1 | 1 |
| 808 | 769 29 16 | | N-pump kit CURVE: 433 "N-MT" | 1 | 1 |
| 808 | 769 29 17 | | N-pump kit CURVE: 434 "N-MT" | 1 | 1 |
| 808 | 769 29 18 | | N-pump kit CURVE: 435 "N-MT" | 1 | 1 |
| 808 | 769 29 19 | | N-pump kit CURVE: 436 "N-MT" | 1 | 1 |
| 808 | 769 29 20 | | N-pump kit CURVE: 437 "N-MT" | 1 | 1 |
| 808 | 769 29 21 | | N-pump kit CURVE: 450 "N-HT" | 1 | 1 |
| 808 | 769 29 22 | | N-pump kit CURVE: 451 "N-HT" | 1 | 1 |
| 808 | 769 29 24 | | N-pump kit CURVE: 453 "N-HT" | 1 | 1 |
| 808 | 769 29 25 | | N-pump kit CURVE: 454 "N-HT" | 1 | 1 |
| 808 | 769 29 26 | | N-pump kit CURVE: 455 "N-HT" | 1 | 1 |
| 808 | 769 29 27 | | N-pump kit CURVE: 456 "N-HT" | 1 | 1 |
| 808 | 769 29 28 | | N-pump kit CURVE: 461 "N-HT" | 1 | 1 |
| 808 | 769 29 29 | | N-pump kit CURVE: 462 "N-HT" | 1 | 1 |
| 808 | 769 29 30 | | N-pump kit CURVE: 463 "N-HT" | 1 | 1 |
| 808 | 769 29 31 | | N-pump kit CURVE: 464 "N-HT" | 1 | 1 |
| 808 | 769 29 32 | | N-pump kit CURVE: 465 "N-HT" | 1 | 1 |
| 808 | 769 29 33 | | N-pump kit CURVE: 466 "N-HT" | 1 | 1 |
| 808 | 769 29 34 | | N-pump kit CURVE: 270 "N-SH" | 1 | 1 |
| 808 | 769 29 35 | | N-pump kit CURVE: 272 "N-SH" | 1 | 1 |
| 808 | 769 29 36 | | N-pump kit CURVE: 273 "N-SH" | 1 | 1 |
| 808 | 769 29 37 | | N-pump kit CURVE: 274 "N-SH" | 1 | 1 |
| 808 | 769 29 38 | | N-pump kit CURVE: 275 "N-SH" | 1 | 1 |
| 808 | 769 29 39 | | N-pump kit CURVE: 276 "N-SH" | 1 | 1 |
| 808 | 769 29 41 | | N-pump kit CURVE: 431 "N-MT" | 1 | 1 |
| 808 | 769 29 42 | | N-pump kit CURVE: 432 "N-MT" | 1 | 1 |
| 808 | 769 29 43 | | N-pump kit CURVE: 433 "N-MT" | 1 | 1 |
| 808 | 769 29 44 | | N-pump kit CURVE: 434 "N-MT" | 1 | 1 |
| 808 | 769 29 46 | | N-pump kit CURVE: 436 "N-MT" | 1 | 1 |

| Pos. No | Part. No | Type | Denomination | Qty/Version | |
|---------|-----------|------|--------------------------------|-------------|-----|
| | | | | 091 | 182 |
| 808 | 769 29 47 | | N-pump kit CURVE: 437 "N-MT" | 1 | 1 |
| 808 | 769 29 49 | | N-pump kit CURVE: 441 "N-MT" | 1 | 1 |
| 808 | 769 29 50 | | N-pump kit CURVE: 442 "N-MT" | 1 | 1 |
| 808 | 769 29 51 | | N-pump kit CURVE: 443 "N-MT" | 1 | 1 |
| 808 | 769 29 52 | | N-pump kit CURVE: 444 "N-MT" | 1 | 1 |
| 808 | 769 29 53 | | N-pump kit CURVE: 445 "N-MT" | 1 | 1 |
| 808 | 769 29 54 | | N-pump kit CURVE: 446 "N-MT" | 1 | 1 |
| 808 | 769 29 55 | | N-pump kit CURVE: 447 "N-MT" | 1 | 1 |
| 808 | 769 29 56 | | N-pump kit CURVE: 450 "N-HT" | 1 | 1 |
| 808 | 769 29 57 | | N-pump kit CURVE: 451 "N-HT" | 1 | 1 |
| 808 | 769 29 59 | | N-pump kit CURVE: 453 "N-HT" | 1 | 1 |
| 808 | 769 29 60 | | N-pump kit CURVE: 454 "N-HT" | 1 | 1 |
| 808 | 769 29 61 | | N-pump kit CURVE: 455 "N-HT" | 1 | 1 |
| 808 | 769 29 62 | | N-pump kit CURVE: 456 "N-HT" | 1 | 1 |
| 808 | 769 29 63 | | N-pump kit CURVE: 458 "N-HT" | 1 | 1 |
| 808 | 769 29 64 | | N-pump kit CURVE: 459 "N-HT" | 1 | 1 |
| 808 | 769 29 65 | | N-pump kit CURVE: 461 "N-HT" | 1 | 1 |
| 808 | 769 29 66 | | N-pump kit CURVE: 462 "N-HT" | 1 | 1 |
| 808 | 769 29 67 | | N-pump kit CURVE: 463 "N-HT" | 1 | 1 |
| 808 | 769 29 68 | | N-pump kit CURVE: 464 "N-HT" | 1 | 1 |
| 808 | 769 29 69 | | N-pump kit CURVE: 465 "N-HT" | 1 | 1 |
| 808 | 769 29 70 | | N-pump kit CURVE: 466 "N-HT" | 1 | 1 |
| 808 | 769 29 74 | | N-pump kit CURVE: 468 "N-HT" | 1 | 1 |
| 808 | 769 29 75 | | N-pump kit CURVE: 469 "N-HT" | 1 | 1 |
| 808 | 769 29 76 | | N-pump kit CURVE: 270 "N-SH" | 1 | 1 |
| 808 | 769 29 77 | | N-pump kit CURVE: 272 "N-SH" | 1 | 1 |
| 808 | 769 29 78 | | N-pump kit CURVE: 273 "N-SH" | 1 | 1 |
| 808 | 769 29 79 | | N-pump kit CURVE: 274 "N-SH" | 1 | 1 |
| 808 | 769 29 80 | | N-pump kit CURVE: 275 "N-SH" | 1 | 1 |
| 808 | 769 29 81 | | N-pump kit CURVE: 276 "N-SH" | 1 | 1 |
| 808 | 769 29 82 | | N-pump kit CURVE: 277 "N-SH" | 1 | 1 |
| 808 | 769 29 83 | | N-pump kit CURVE: 278 "N-SH" | 1 | 1 |
| 808 | 769 29 84 | | N-pump kit CURVE: 279 "N-SH" | 1 | 1 |
| 900 | 657 17 08 | | Basic repair kit NBR WCCR/WCCR | 1 | 1 |
| 900 | 657 17 09 | | Basic repair kit FPM WCCR/WCCR | 1 | 1 |
| 900 | 657 17 10 | | Basic repair kit NBR WCCR/RSIC | 1 | 1 |
| 900 | 657 17 11 | | Basic repair kit FPM WCCR/RSIC | 1 | 1 |
| 901 | 90 20 76 | | Monopropylene glycol | * | * |
| 912 | 82 76 85 | | O-ring 17X3 NBR | 3 | 3 |
| 912 | 82 79 15 | | O-ring 17X3 FPM | 3 | 3 |



ООО «Бауманс Груп» - официальный партнер фирмы Flygt в России.

Тел: +7 495 121 49 50

Эл. почта: info@baumgroup.ru

Сайт: www.baumgroup.ru